

ANSI A117.1 2003.

Shower Compartments.
Section 608.

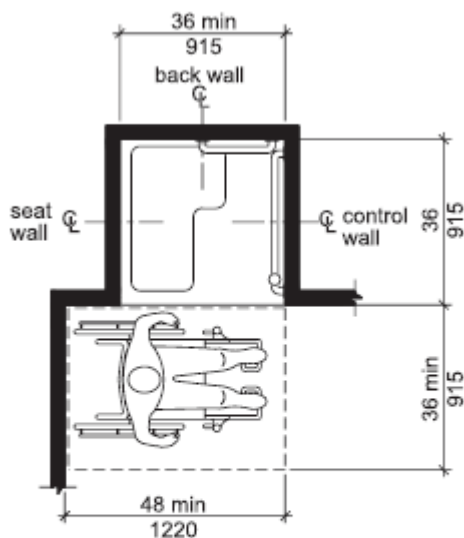
Transfer Type Shower. Accessible Shower Units.

608 Shower Compartments

608.1 General. Accessible shower compartments shall comply with Section 608.

608.2 Size and Clearances.

608.2.1 Transfer-Type Shower Compartments. Transfer-type shower compartments shall have a clear inside dimension of 36 inches (915 mm) in width and 36 inches (915 mm) in depth, measured at the center point of opposing sides. An entry 36 inches (915 mm) minimum in width shall be provided. A clearance of 48 inches (1220 mm) minimum in length measured perpendicular from the control wall, and 36 inches (915 mm) minimum in depth shall be provided adjacent to the open face of the compartment.



Note: inside finished dimensions measured at the center points of opposing sides

Fig. 608.2.1
Transfer-Type Shower Compartment
Size and Clearance

In Figure 608.2.1, delete the word “min” from the dimension string at the top of the figure. The dimension string should read “36” instead of “36 min.”

608.3 Grab Bars. Grab bars shall comply with Section 609 and shall be provided in accordance with Section 608.3. Where multiple grab bars are used, required horizontal grab bars shall be installed at the same height above the floor.

608.3.1 Transfer-Type Showers. Grab bars for transfer type showers shall comply with Section 608.3.1.

608.3.1.1 Horizontal Grab Bars. Horizontal grab bars shall be provided across the control wall and on the back wall to a point 18 inches (455 mm) from the control wall.

608.3.1.2 Vertical Grab Bar. A vertical grab bar 18 inches (455 mm) minimum in length shall be provided on the control end wall 3 inches (75 mm) minimum to 6 inches (150 mm) maximum above the horizontal grab bar, and 4 inches (100 mm) maximum inward from the front edge of the shower.

608.3.1.3 Grab Bar Configuration. Grab bars complying with Sections 608.3.1.1 and 608.3.1.2 shall be permitted to be separate bars, a single piece bar, or combination thereof.

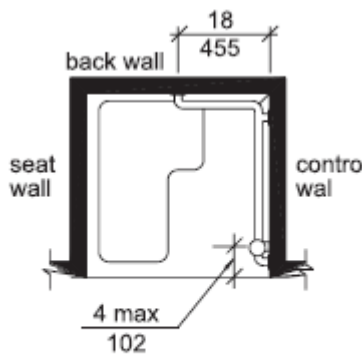


Fig. 608.3.1
Grab Bars in Transfer-Type Showers

609 Grab Bars

609.1 General. Grab bars in accessible toilet or bathing facilities shall comply with Section 609.

609.2 Cross Section. Grab bars shall have a cross section complying with Section 609.2.1 or 609.2.2.

609.2.1 Circular Cross Section. Grab bars with a circular cross section shall have an outside diameter of $1\frac{1}{4}$ inch (32 mm) minimum and 2 inches (51 mm) maximum.

609.2.2 Noncircular Cross Section. Grab bars with a noncircular cross section shall have a cross section dimension of 2 inches (51 mm) maximum, and a perimeter dimension of 4 inches (102 mm) minimum and 4.8 inches (122 mm) maximum.

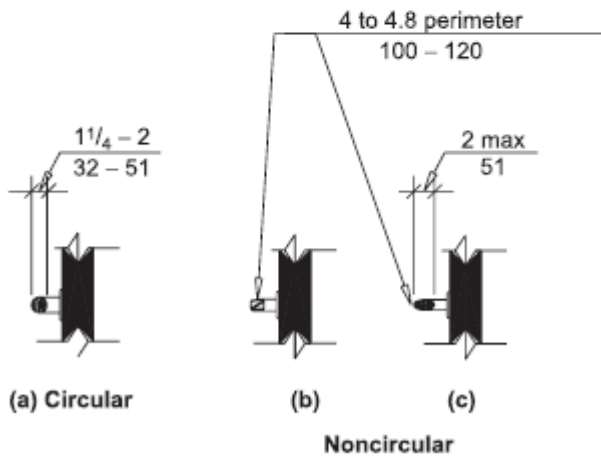


Fig. 609.2
Size of Grab Bars

609.3 Spacing. The space between the wall and the grab bar shall be $1\frac{1}{2}$ inches (38 mm). The space between the grab bar and projecting objects below and at the ends of the grab bar shall be $1\frac{1}{2}$ inches (38 mm) minimum. The space between the grab bar and projecting objects above the grab bar shall be 12 inches (305 mm) minimum.

EXCEPTIONS:

1. The space between the grab bars and shower controls, shower fittings, and other grab bars above the grab bar shall be permitted to be $1\frac{1}{2}$ inches (38 mm) minimum.

2. Swing-up grab bars shall not be required to comply with Section 609.3.

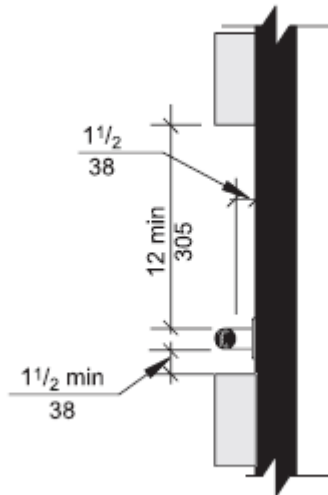


Fig. 609.3
Spacing of Grab Bars

609.4 Position of Grab Bars. Grab bars shall be installed in a horizontal position, 33 inches (840 mm) minimum and 36 inches (915 mm) maximum above the floor measured to the top of the gripping surface. At water closets primarily for children's use complying with Section 604.10, grab bars shall be installed in a horizontal position 18 inches (455 mm) minimum to 27 inches (685 mm) maximum above the floor measured to the top of the gripping surface.

EXCEPTIONS:

1. The lower grab bar on the back wall of a bathtub required by Section 607.4.1.1 or 607.4.2.1.
2. Vertical grab bars required by Sections 604.5.1, 607.4.1.2.2, 607.4.2.2.2, and 608.3.1.2.

609.5 Surface Hazards. Grab bars, and any wall or other surfaces adjacent to grab bars, shall be free of sharp or abrasive elements. Edges shall be rounded.

609.6 Fittings. Grab bars shall not rotate within their fittings.

609.7 Installation. Grab bars shall be installed in any manner that provides a gripping surface at the locations specified in this standard and does not obstruct the clear floor space.

609.8 Structural Strength. Allowable stresses shall not be exceeded for materials used where a vertical or horizontal force of 250 pounds (1112 N) is applied at any point on the grab bar, fastener mounting device, or supporting structure.

608.4 Seats. A folding or nonfolding seat shall be provided in transfer-type shower compartments. A seat shall be provided in an alternate roll-in-type shower compartment. In standard and alternate roll-in-type showers where a seat is provided, if the seat extends over the minimum clear inside dimension required by Section 608.2.2 or 608.2.3, the seat shall be a folding seat. Seats shall comply with Section 610.

EXCEPTIONS:

1. A shower seat is not required to be installed in a shower facility for a single occupant, accessed only through a private office and not for common use or public use, provided reinforcement has been installed in walls and located so as to permit the installation of a shower seat complying with Section 608.4.

610 Seats

610.1 General. Seats in accessible bathtubs and shower compartments shall comply with Section 610.

610.3 Shower Compartment Seats. Where a seat is provided in a standard roll-in shower compartment, it shall be a folding type and shall be on the wall adjacent to the controls. The height of the seat shall be 17 inches (430 mm) minimum and 19 inches (485 mm) maximum above the bathroom floor, measured to the top of the seat. In transfer-type and alternate roll-in-type showers, the seat shall extend along the seat wall to a point within 3 inches (75 mm) of the compartment entry. In stan-

standard roll-in-type showers, the seat shall extend from the control wall to a point within 3 inches (75 mm) of the compartment entry. Seats shall comply with Section 610.3.1 or 610.3.2.

610.3.1 Rectangular Seats. The rear edge of a rectangular seat shall be 2½ inches (64 mm) maximum and the front edge 15 inches (380 mm) minimum to 16 inches (405 mm) maximum from the seat wall. The side edge of the seat shall be 1½ inches (38 mm) maximum from the back wall of a transfer-type shower and 1½ inches (38 mm) maximum from the control wall of a roll-in-type shower.

610.3.2 L-Shaped Seats. The rear edge of an L-shaped seat shall be 2½ inches (64 mm) maximum and the front edge 15 inches (380 mm) minimum to 16 inches (405 mm) maximum from the seat wall. The rear edge of the "L" portion of the seat shall be 1½ inches (38 mm) maximum from the wall and the front edge shall be 14 inches (355 mm) minimum and 15 inches (380 mm) maximum from the wall. The end of the "L" shall be 22 inches (560 mm) minimum and 23 inches (585 mm) maximum from the main seat wall.

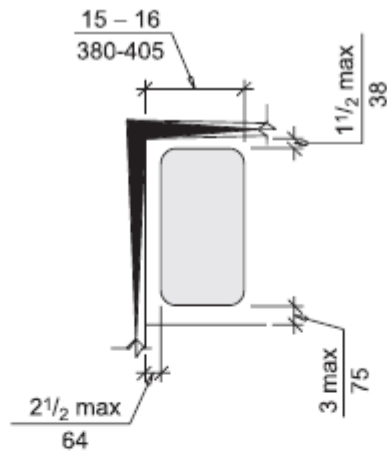


Fig. 610.3.1
Rectangular Shower Compartment Seat

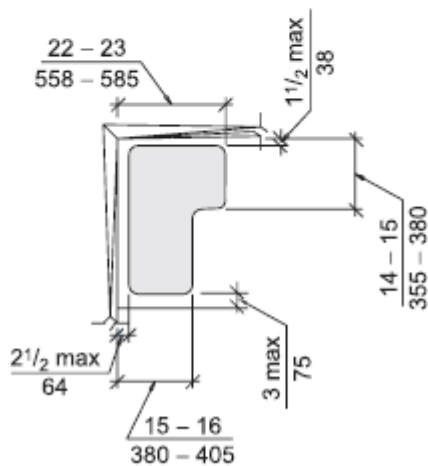


Fig. 610.3.2
L-Shaped Shower Compartment Seat

610.4 Structural Strength. Allowable stresses shall not be exceeded for materials used where a vertical or horizontal force of 250 pounds (1112 N) is applied at any point on the seat, fastener mounting device, or supporting structure.

608.5 Controls and Hand Showers. Controls and hand showers shall comply with Sections 608.5 and 309.4.

608.5.1 Transfer-Type Showers. In transfer-type showers, the controls and hand shower shall be located on the control wall opposite the seat, 38 inches (965 mm) minimum and 48 inches (1220 mm) maximum above the shower floor, within 15 inches (380 mm), left or right, of the centerline of the seat.

(Amd) **608.5 Controls.** Controls and hand showers shall comply with Sections 608.5 and 309.4.
Exception: Controls in Group I-2 long-term health care facilities that provide supervised, assisted bathing shall be permitted to be located outside of the shower compartment.

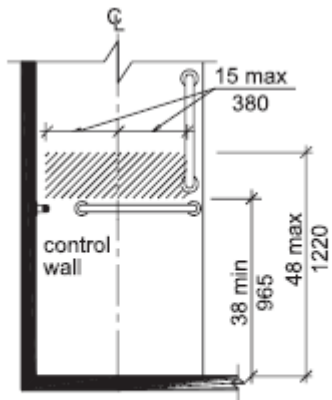


Fig. 608.5.1
Transfer-Type Shower
Controls and Handshowers Location

608.6 Hand Showers. A hand shower with a hose 59 inches (1500 mm) minimum in length, that can be used both as a fixed shower head and as a hand shower, shall be provided. The hand shower shall have a control with a nonpositive shut-off feature. An adjustable-height shower head mounted on a vertical bar shall be installed so as to not obstruct the use of grab bars.

608.7 Thresholds. Thresholds in roll-in-type shower compartment shall be ¹/₂ inch (13 mm) maximum in height in accordance with Section 303. In transfer-type shower compartments, thresholds ¹/₂ inch (13 mm) maximum in height shall be beveled, rounded, or vertical.

EXCEPTION: In existing facilities, in transfer-type shower compartments where provision of a threshold ¹/₂ inch (13 mm) in height would disturb the structural reinforcement of the floor slab, a threshold 2 inches (51 mm) maximum in height shall be permitted.

608.8 Shower Enclosures. Shower compartment enclosures for shower compartments shall not obstruct controls or obstruct transfer from wheelchairs onto shower seats.

608.9 Water Temperature. Showers shall deliver water that is 120 degrees F (49 degrees C) maximum.