
BRUCE J. SPIEWAK, AIA
CONSULTING ARCHITECT, LLC

375 MORGAN LANE. UNIT 405
WEST HAVEN, CT 06516

dougg@conncode.com Code Consulting Since 1982

2005 CSBC.

SECTION 1110

SIGNAGE

1110.1 Signs. Required accessible elements shall be identified by the **International Symbol of Accessibility** at the following locations:

1. **Accessible parking spaces** as required by Section 1106.

Pursuant to subsection (h) of section 14-253a of the Connecticut General Statutes, such spaces shall be designated by above-grade signs with white lettering against a blue background and shall bear the words "HANDICAPPED PARKING PERMIT REQUIRED" and "VIOLATORS WILL BE FINED" in addition to the International Symbol of Accessibility. When such a sign is replaced, repaired or erected, it shall indicate the minimum fine for a violation of subsection (f) of section 14-253a of the Connecticut General Statutes. Such indicator may be in the form of a notice affixed to such sign.

2. **Accessible passenger loading zones.**

3. Accessible areas of refuge required by Section 1007.6.

4. Accessible portable toilet and bathing units.

5. Accessible means of egress stairways. (**Only if providing area of refuge. Code Modification Required**).

6. Accessible toilet or bathing rooms where multiple single-user toilet or bathing rooms are clustered at a single location.

7. Accessible entrances where not all entrances are accessible.

8. Accessible check-out aisles where not all aisles are accessible.

The sign, where provided, shall be above the check-out aisle in the same location as the check-out aisle number or type of check-out identification.

9. **Unisex toilet and bathing rooms.**

10. Accessible dressing, fitting and locker rooms where not all such rooms are accessible.

11. **Accessible grade level exits required by Section 1011.1.2.**

1110.2 Directional signage. Directional signage indicating the route to the nearest like accessible element shall be provided at the following locations. These directional signs shall include the International Symbol of Accessibility:

1. Inaccessible building entrances.

2. Inaccessible public toilets and bathing facilities.

3. Elevators not serving an accessible route.

4. At each separate-sex toilet and bathing room indicating the location of the nearest unisex toilet or bathing room

where provided in accordance with Section 1109.2.1.
5. At exits and elevators serving a required accessible space, but not providing an approved accessible means of egress, signage shall be provided in accordance with **Section 1007.7.**

1110.3 Other signs. Signage indicating special accessibility provisions shall be provided as shown:

1. Each assembly area required to comply with Section 1108.2.7 shall provide a sign notifying patrons of the availability of assistive listening systems.

Exception: Where ticket offices or windows are provided, signs are not required at each assembly area provided that signs are displayed at each ticket office or window informing patrons of the availability of assistive listening systems.

2. At each door to an egress stairway, exit passageway and exit discharge, signage shall be provided in accordance with Section 1011.3.

3. At areas of refuge, signage shall be provided in accordance with Sections 1007.6.3 through 1007.6.5.

4. At areas for assisted rescue, signage shall be provided in accordance with Section 1007.8.3.

1110.4 Interior signage. Interior signs that designate permanent rooms and spaces shall be raised text characters and Braille, designed and located in accordance with ICC/ANSI A117.1-2003. Mounting location for signage shall be such that any person approaching the signage will not encounter protruding objects, or stand within the swing of any door.

1011.1.2 Accessible exits. Where exit signs are required by Section 1011.1 of this code, accessible exit doors at the level of exit discharge that lead directly to accessible paths of exit discharge shall additionally be marked by the International Symbol of Accessibility. Such symbol shall be not less than 6 inches high and shall be incorporated into the required exit sign or shall be located directly adjacent to it. Such symbol shall meet the requirements of Section 1011.

1011.3 Tactile exit signs. A tactile sign stating EXIT and complying with ICC A117.1 shall be provided adjacent to each door to an egress stairway, an exit passageway and the exit discharge.

Door sign at the entrance to the stairs. Section 1011.3

Tactile exit sign is required. Braille is required since it is a space. Conn. Amendment.

Information sign at the entrance to the stairs. Section 1110.4

Tactile and Braille is required since it is a space.

Signage within the stairs. Section 1019.1.7

Tactile and Braille is required to be provided, and must comply with all requirements for Tactile and Braille from ANSI A117.1 2003.

See attached. OSBI Bulletin Dated November 1, 2005. Item #3

SECTION 1011

EXIT SIGNS

1011.1 Where required. Exits and exit access doors shall be marked by an approved exit sign readily visible from any direction of egress travel. Access to exits shall be marked by readily visible exit signs in cases where the exit or the path of egress travel is not immediately visible to the occupants. Exit sign placement shall be such that no point in an exit access corridor is more than 100 feet (30 480 mm) or the listed viewing distance for the sign, whichever is less, from the nearest visible exit sign.

1011.1.1 Floor proximity exit signs. Where exit signs are required by Section 1011.1 of this code, exit access doors and exit doors shall additionally be marked by floor proximity exit signs in Group A occupancies with an occupant load of more than 300, Group B medical occupancies, Group I-1 occupancies, Group I-2 occupancies, Group R-1 hotels and motels and Group R-2 dormitories.

1011.1.1.2 Approval. Floor proximity exit signs shall be listed and labeled in accordance with UL 924, Emergency Lighting and Power Equipment, Edition 9, dated February 24, 2006.

1011.1.1.1 Location and illumination. Floor proximity exit signs shall be located with the bottom of the sign not less than 6 inches nor more than 18 inches above the finished floor. The signs shall be located on the door or adjacent to the door with the nearest edge within 4 inches of the door. Floor proximity exit signs shall be illuminated in accordance with the requirements of Section 1011.4 or Section 1011.5 of this code.

1007.6.5 Identification. Each door providing access to an area of refuge from an adjacent floor area shall be identified by a sign complying with ICC A117.1, stating: **AREA OF REFUGE**, and including the International Symbol of Accessibility. Where exit sign illumination is required by Section 1011.2, the area of refuge sign shall be illuminated. Additionally, tactile signage complying with ICC A117.1 shall be located at each door to an area of refuge.

1007.7 Signage. At exits and elevators serving a required accessible space but not providing an approved accessible means of egress, signage shall be installed indicating the location of accessible means of egress.

1004.3 Posting of occupant load. Every room or space that is an assembly occupancy shall have the occupant load of the room or space posted in a conspicuous place, near the main exit or exit access doorway from the room or space. Posted signs shall be of an approved legible permanent design and shall be maintained by the owner or authorized agent.

(See Attached Sample)

1019.1.7 Stairway floor number signs. A sign shall be provided at each floor landing in interior vertical exit enclosures connecting more than three stories designating the floor level, the terminus of the top and bottom of the stair enclosure and the identification of the stair. The signage shall also state the story of, and the direction to the exit discharge and the availability of roof access from the stairway for the fire department. The sign shall be located 5 feet (1524 mm) above the floor landing in a position which is readily visible when the doors are in the open and closed positions.

(See Attached Sample)

ANSI A117.1 2003.

703.3 Tactile Characters.

703.3.1 General. Tactile characters shall comply with Section 703.3, and shall be duplicated in braille complying with Section 703.4.

703.3.2 Depth. Tactile characters shall be raised $\frac{1}{32}$ inch (0.8 mm) minimum above their background.

703.3.3 Case. Characters shall be uppercase.

703.3.4 Style. Characters shall be sans serif. Characters shall not be italic, oblique, script, highly decorative, or of other unusual forms.

703.3.5 Character Height. The uppercase letter “I” shall be used to determine the allowable height of all characters of a font. The height of the uppercase letter “I” of the font, measured vertically from the baseline of the character, shall be $\frac{5}{8}$ inch (16 mm) minimum, and 2 inches (51 mm) maximum.

EXCEPTION: Where separate tactile and visual characters with the same information are provided, the height of the tactile uppercase letter “I” shall be permitted to be $\frac{1}{8}$ inch (13 mm) minimum.

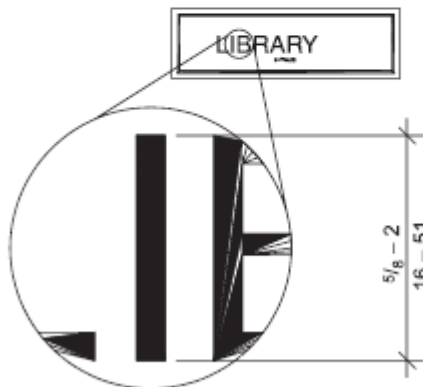
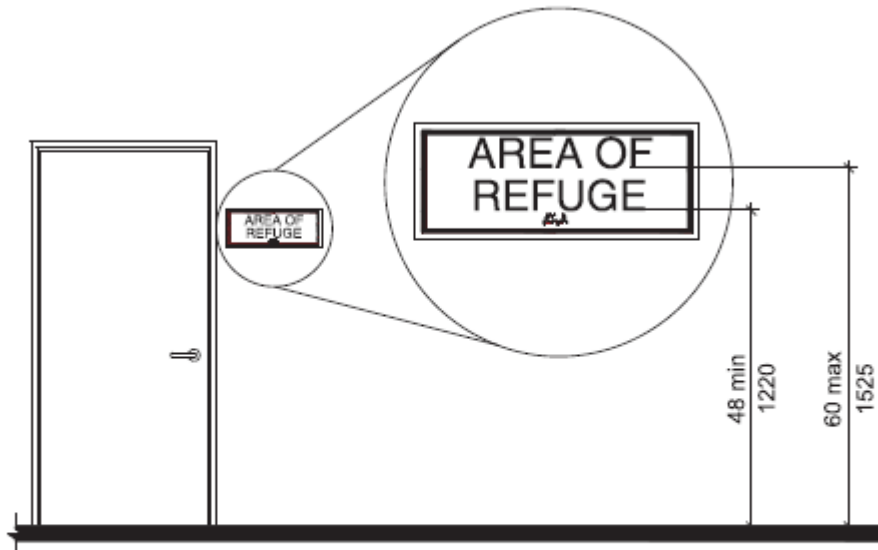


Fig. 703.3.5
Character Height

703.3.10 Height above Floor. Tactile characters shall be 48 inches (1220 mm) minimum above the floor, measured to the baseline of the lowest tactile character and 60 inches (1525 mm) maximum above the floor, measured to the baseline of the highest tactile character.

EXCEPTION: Tactile characters for elevator car controls shall not be required to comply with Section 703.3.10.



Note: For Braille mounting height see Section 703.4.5

Fig. 703.3.10
Height of Tactile Characters above Floor or Ground

703.3.11 Location. Where a tactile sign is provided at a door, the sign shall be alongside the door at the latch side. Where a tactile sign is provided at double doors with one active leaf, the sign shall be located on the inactive leaf. Where a tactile sign is provided at double doors with two active leaves, the sign shall be to the right of the right-hand door. Where there is no wall space on the latch side of a single door, or to the right side of double doors, signs shall be on the nearest adjacent wall. Signs containing tactile characters shall be located so that a clear floor area 18 inches (455 mm) minimum by 18 inches (455 mm) minimum, centered on the tactile characters, is provided beyond the arc of any door swing between the closed position and 45 degree open position.

EXCEPTION: Signs with tactile characters shall be permitted on the push side of doors with closers and without hold-open devices.

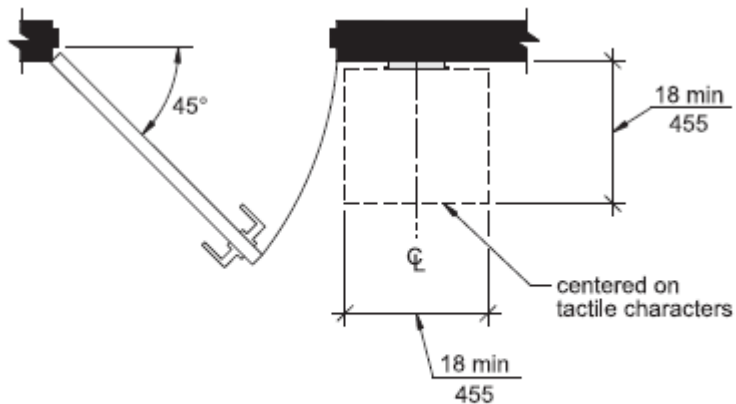


Fig. 703.3.11
Location of Tactile Signs at Doors

703.4 Braille.

703.4.1 General. Braille shall be contracted (Grade 2) braille and shall comply with Section 703.4.

703.4.2 Uppercase Letters. The indication of an uppercase letter or letters shall only be used before the first word of sentences, proper nouns and names, individual letters of the alphabet, initials, or acronyms.

703.4.3 Dimensions. Braille dots shall have a domed or rounded shape and shall comply with Table 703.4.3.

703.4.4 Position. Braille shall be below the corresponding text. If text is multilined, braille shall be placed below entire text. Braille shall be separated $\frac{3}{8}$ inch (9.5 mm) minimum from any other tactile characters and $\frac{3}{8}$ inch (9.5 mm) minimum from raised borders and decorative elements. Braille provided on elevator car controls shall be separated $\frac{3}{16}$ inch (4.8 mm) minimum either directly below or adjacent to the corresponding raised characters or symbols.

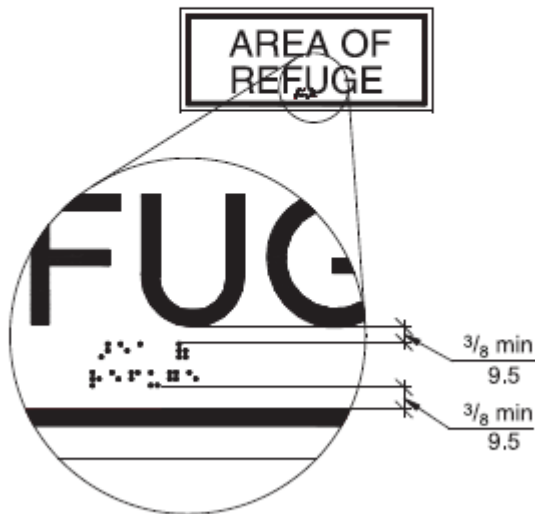


Fig. 703.4.4
Position of Braille

703.4.5 Mounting Height. Braille shall be 48 inches (1220 mm) minimum and 60 inches (1525 mm) maximum above the floor, measured to the baseline of the braille cells.

EXCEPTION: Elevator car controls shall not be required to comply with Section 703.4.5.

Douglas L. Golden.
12.08.2011.