

**BRUCE J. SPIEWAK, AIA**  
CONSULTING ARCHITECT, LLC

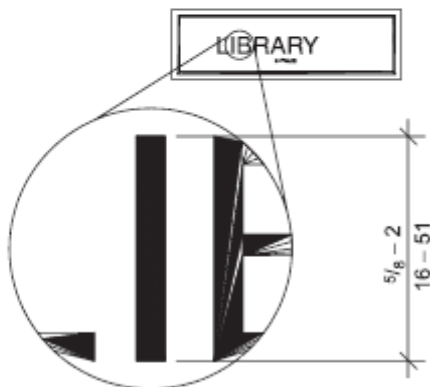
375 MORGAN LANE. UNIT 405  
WEST HAVEN, CT 06516

[bruces@conncode.com](mailto:bruces@conncode.com) Code Consulting Since 1982

**Excerpted from ICC/ANSI A117.1 2003:**

**703.3.5 Character Height.** The uppercase letter "I" shall be used to determine the allowable height of all characters of a font. The height of the uppercase letter "I" of the font, measured vertically from the baseline of the character, shall be  $\frac{5}{8}$  inch (16 mm) minimum, and 2 inches (51 mm) maximum.

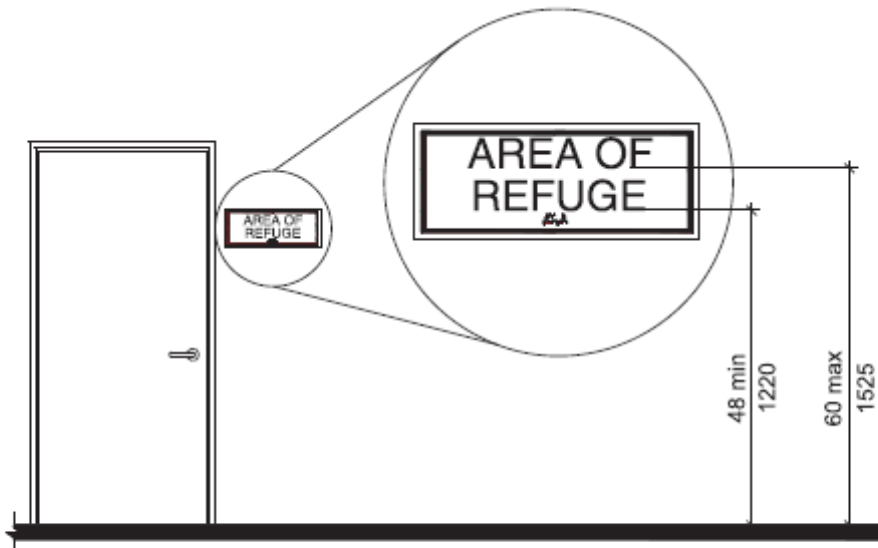
**EXCEPTION:** Where separate tactile and visual characters with the same information are provided, the height of the tactile uppercase letter "I" shall be permitted to be  $\frac{1}{2}$  inch (13 mm) minimum.



**Fig. 703.3.5**  
**Character Height**

**703.3.10 Height above Floor.** Tactile characters shall be 48 inches (1220 mm) minimum above the floor, measured to the baseline of the lowest tactile character and 60 inches (1525 mm) maximum above the floor, measured to the baseline of the highest tactile character.

**EXCEPTION:** Tactile characters for elevator car controls shall not be required to comply with Section 703.3.10.

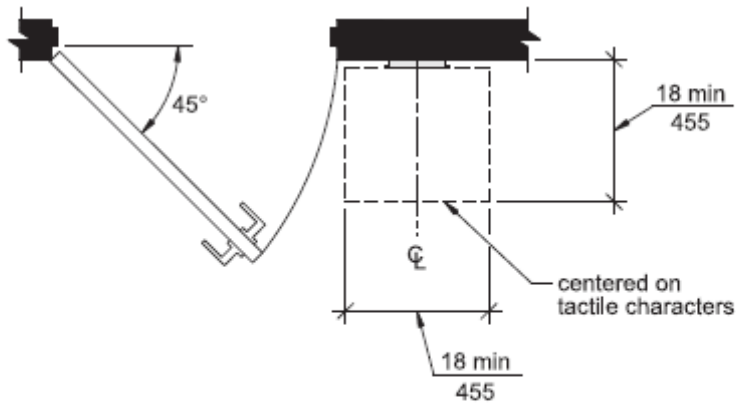


Note: For Braille mounting height see Section 703.4.5

**Fig. 703.3.10**  
**Height of Tactile Characters above Floor or Ground**

**703.3.11 Location.** Where a tactile sign is provided at a door, the sign shall be alongside the door at the latch side. Where a tactile sign is provided at double doors with one active leaf, the sign shall be located on the inactive leaf. Where a tactile sign is provided at double doors with two active leaves, the sign shall be to the right of the right-hand door. Where there is no wall space on the latch side of a single door, or to the right side of double doors, signs shall be on the nearest adjacent wall. Signs containing tactile characters shall be located so that a clear floor area 18 inches (455 mm) minimum by 18 inches (455 mm) minimum, centered on the tactile characters, is provided beyond the arc of any door swing between the closed position and 45 degree open position.

**EXCEPTION:** Signs with tactile characters shall be permitted on the push side of doors with closers and without hold-open devices.



**Fig. 703.3.11**  
**Location of Tactile Signs at Doors**

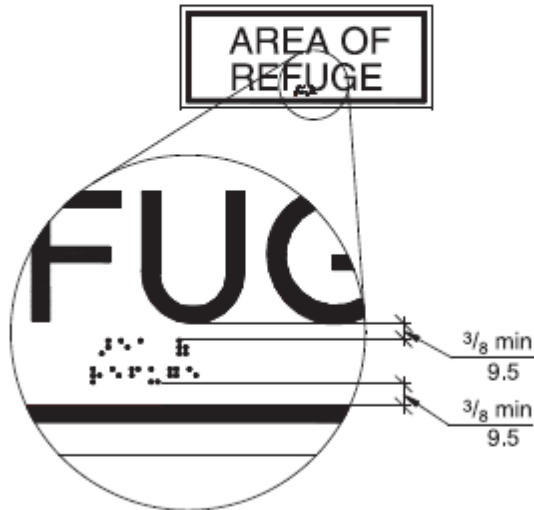
**703.4 Braille.**

**703.4.1 General.** Braille shall be contracted (Grade 2) braille and shall comply with Section 703.4.

**703.4.2 Uppercase Letters.** The indication of an uppercase letter or letters shall only be used before the first word of sentences, proper nouns and names, individual letters of the alphabet, initials, or acronyms.

**703.4.3 Dimensions.** Braille dots shall have a domed or rounded shape and shall comply with Table 703.4.3.

**703.4.4 Position.** Braille shall be below the corresponding text. If text is multilined, braille shall be placed below entire text. Braille shall be separated  $\frac{3}{8}$  inch (9.5 mm) minimum from any other tactile characters and  $\frac{3}{8}$  inch (9.5 mm) minimum from raised borders and decorative elements. Braille provided on elevator car controls shall be separated  $\frac{3}{16}$  inch (4.8 mm) minimum either directly below or adjacent to the corresponding raised characters or symbols.



**Fig. 703.4.4**  
**Position of Braille**

**703.4.5 Mounting Height.** Braille shall be 48 inches (1220 mm) minimum and 60 inches (1525 mm) maximum above the floor, measured to the baseline of the braille cells.

**EXCEPTION:** Elevator car controls shall not be required to comply with Section 703.4.5.